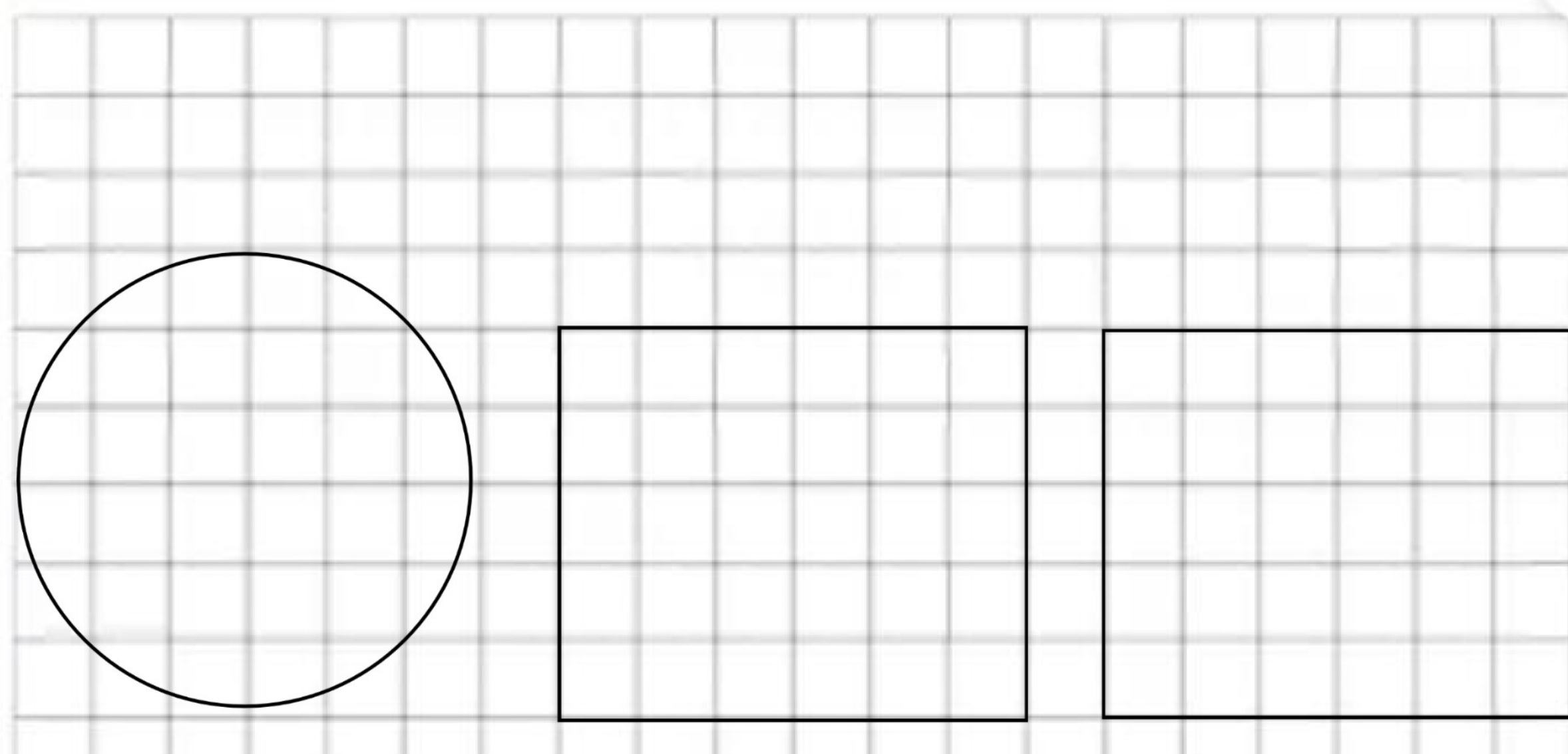




Plans & Elevations Exam Practice

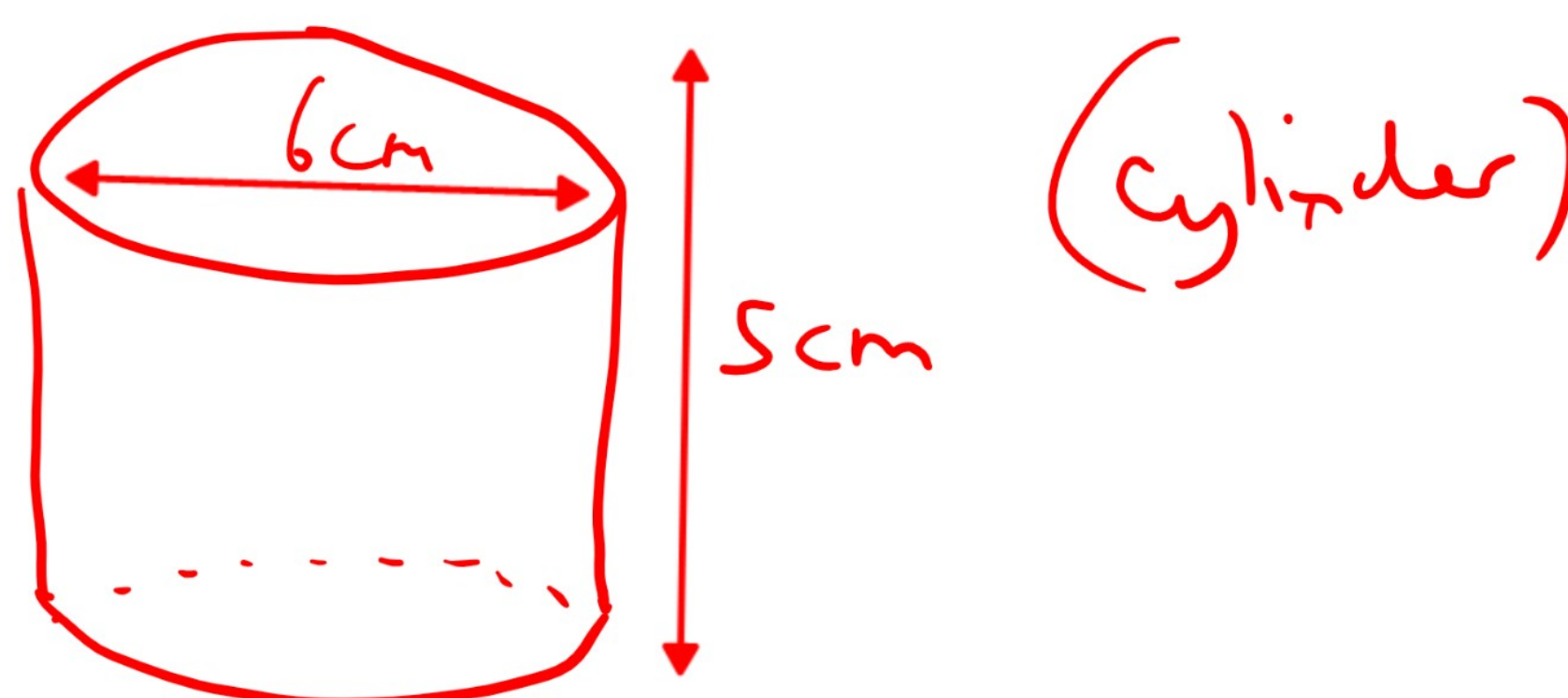
Q1. The grid is on cm squared paper. Draw a sketch of the 3d shape represented by the different views shown below. Label all lengths.



Plan View

Side Elevation

Front Elevation

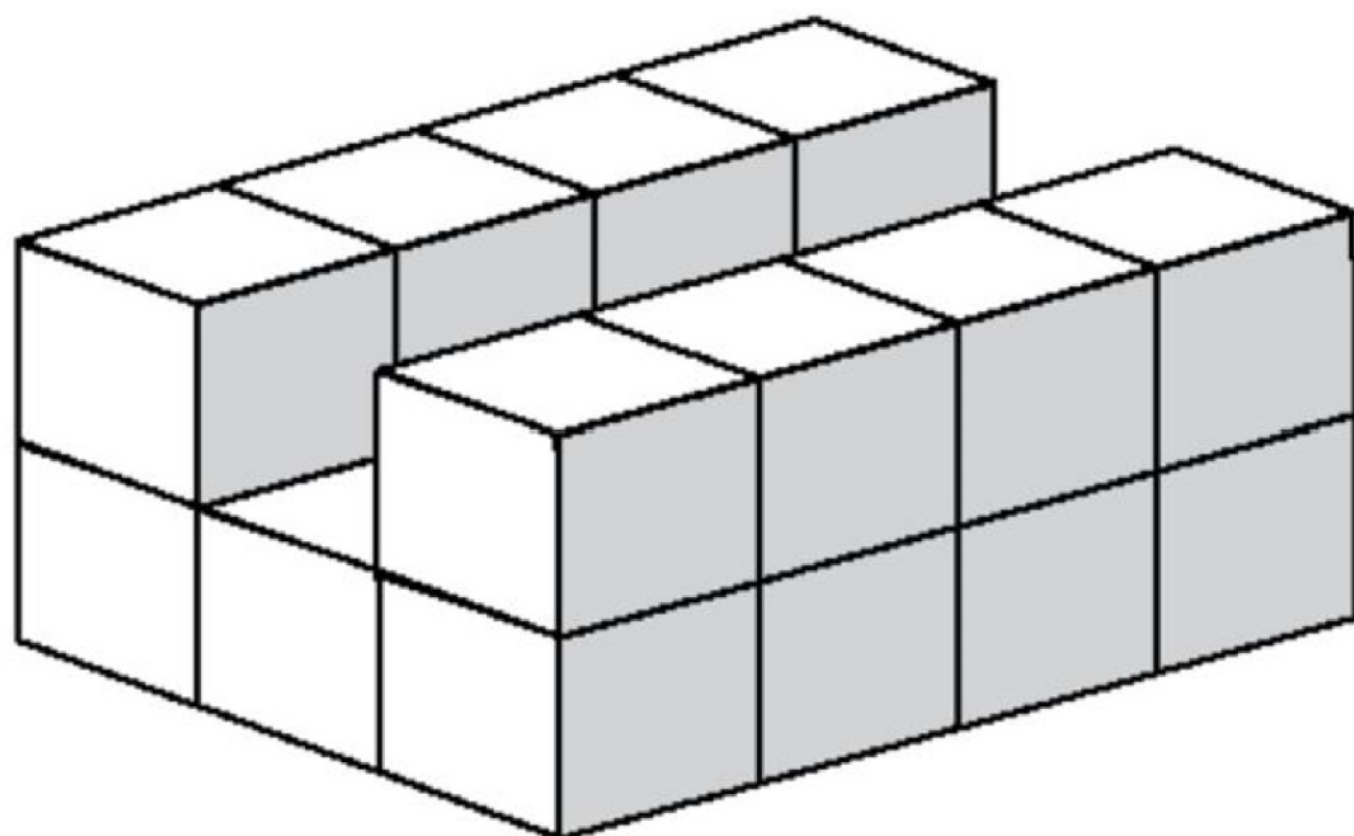


Answer: _____

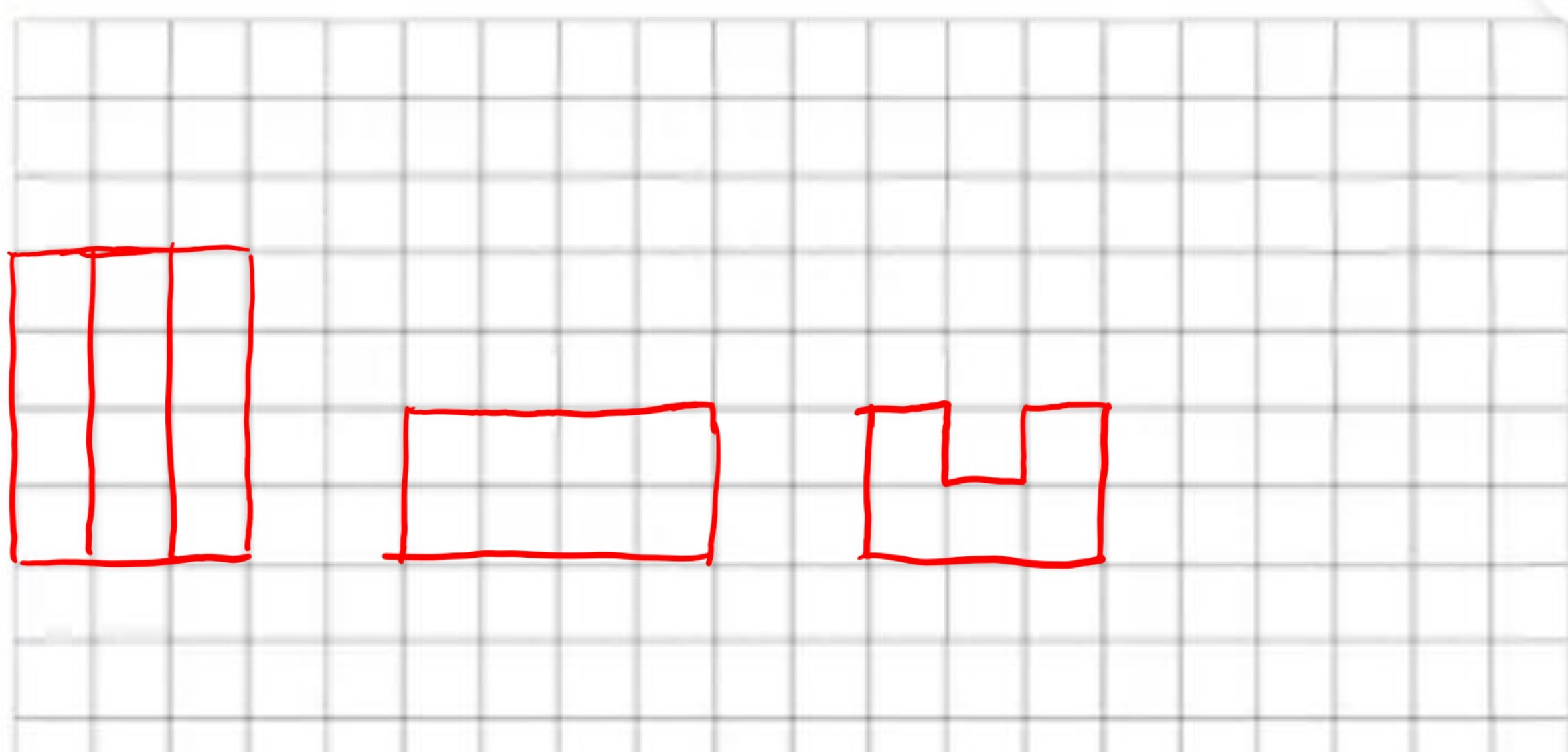
(2 marks)



Q2. The diagram shows a 3d-shape made from centimetre cubes.



Draw the plan, side and front elevations on the square cm paper below



(plan)

(side)

(front)

Answer: _____

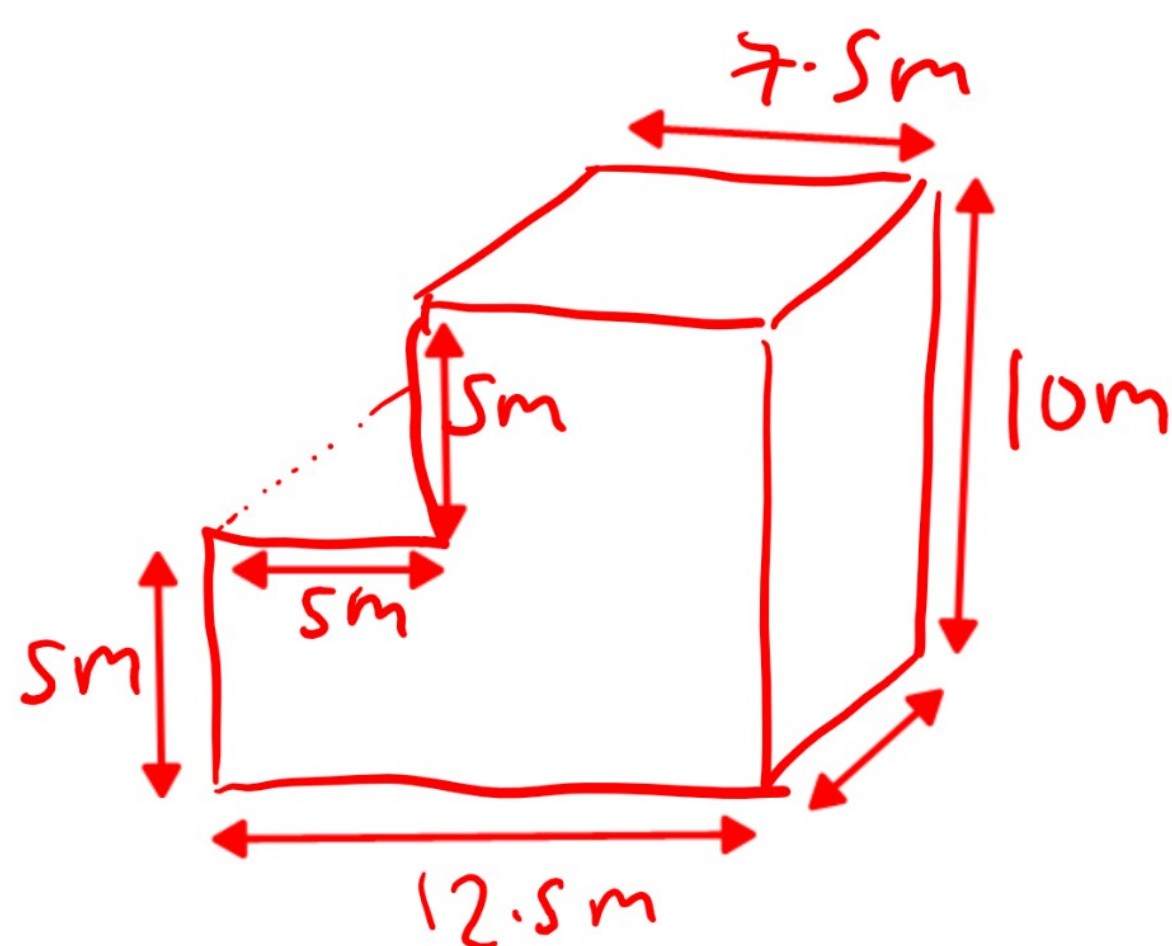
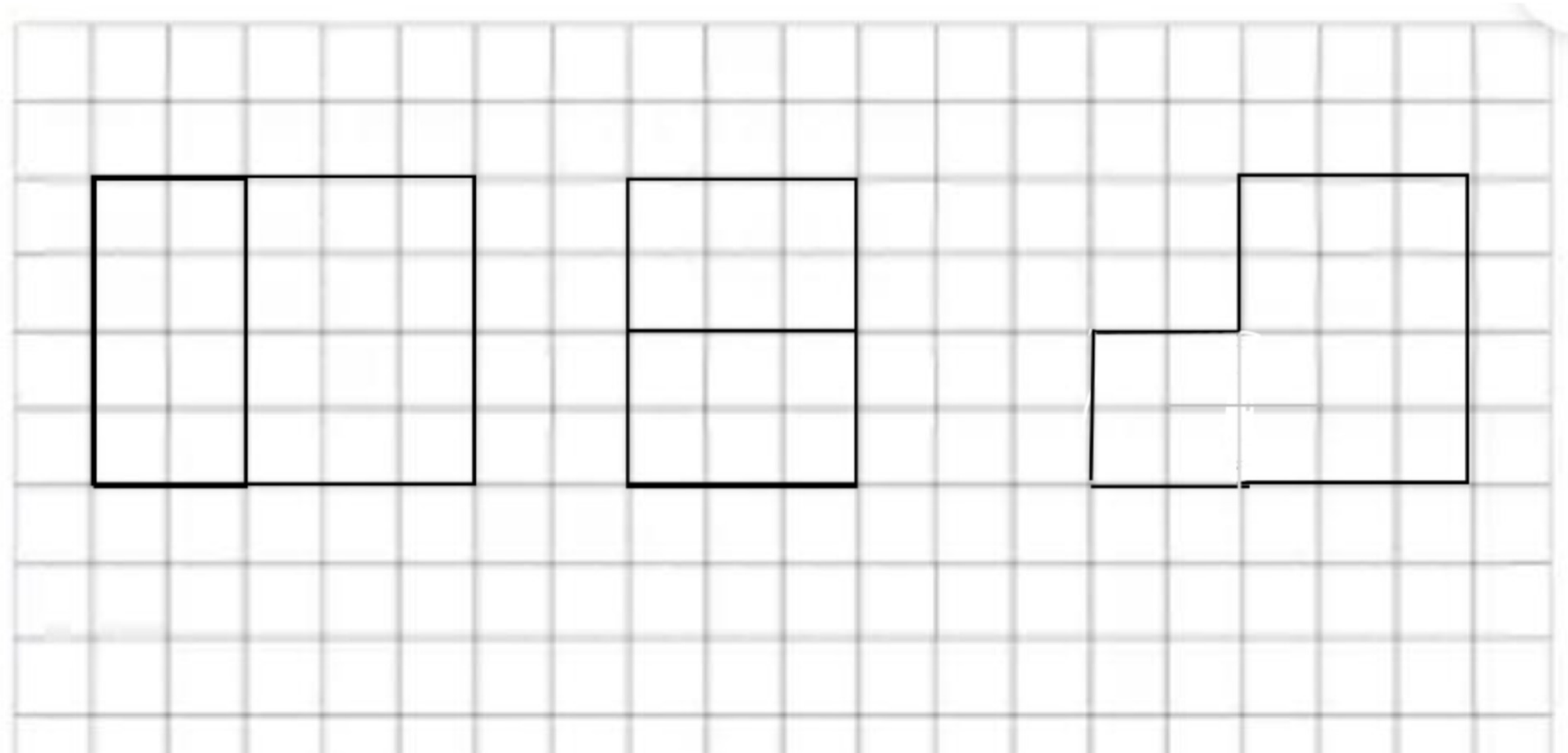
(3 marks)



Q3. The grid below is on cm squared paper, and shows the plan, side and front elevations of a hotel.

Using the scale $2\text{ cm} = 5\text{ m}$, draw a 3d drawing of the hotel.

Include the dimensions on your drawing.



Answer: _____

(2 marks)

