



Units and Conversions Exam Practice

Q1. (i) Change 750 ml to litres

(ii) Change 3.2 litres to ml

Answer: _____
(2 marks)

Q2. (i) Change 11.2 km to metres

(ii) Change 50 m to km

Answer: _____
(2 marks)

Q3. Starting with the smallest, put these units in order of size:

cm metres millimetres inches feet yards

Answer: _____
(2 marks)



Q4. (i) Change 285 g to kg

(ii) Change 1.2 kg to g

Answer: _____
(2 marks)

Q5. Convert 8.5 feet to inches

Answer: _____
(1 mark)

Q6. Convert 3500 ml to cm

Answer: _____
(1 mark)



Multi-step conversions

Q7. Change 30 metres to mm

Answer: _____
(2 marks)

Q8. Change 0.5 km to cm

Answer: _____
(2 marks)

Q9. Change 18000 g to tonnes.

Answer: _____
(2 marks)



Q10. Change 9900 mm to metres.

Answer: _____
(2 marks)

Q11. Change 25 cm to km

Answer: _____
(2 marks)



Q12. In this question, take **1 yard = 36 inches**, and use the approximation
1 inch = 2.5 cm

(i) Convert 3 yards to cm

(ii) Convert 680 mm to inches

Answer: _____
(4 marks)

Q13. A **centilitre** is one hundredth of a litre. Convert 4650 ml to centilitres.

Answer: _____
(2 marks)



Area & Volume conversions

Q14. (i) State how many cm squared there are in one metre squared.

Answer: _____
(1 mark)

(ii) Hence convert 15 m^2 to cm^2

Answer: _____
(1 mark)

Q15. (i) Convert 250 mm^2 to cm^2

(ii) Convert 0.2 km^2 to m^2

Answer: _____
(4 marks)



Q16. Change $754,000,000 \text{ cm}^2$ to km^2

Answer: _____
(2 marks)

Q17. (i) Convert 8000 mm^3 to cm^3

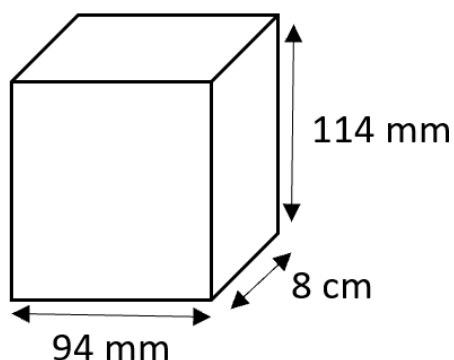
(ii) Convert 0.00025 km^3 to m^3

Answer: _____
(4 marks)



Applied Mixed Practice Problems

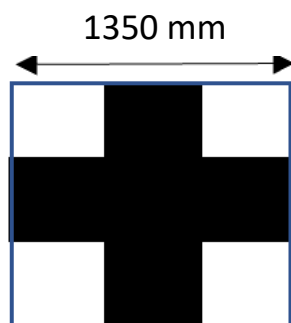
Q18. Sugar cubes measure 1 cm^3 in volume. Work out how many sugar cubes can fit inside the box shown:



Answer: _____
(3 marks)

Q19. An art display is in the form of a square containing 9 identical squares inside. The cross shape shown is to be painted gold, and the rest of the logo is to be painted silver. A can of silver paint can cover 50 cm^2 , whilst a can of gold paint can cover 30 cm^2 .

Work out how many cans of silver paint and gold paint will be needed to paint the display.



Answer: _____
(4 marks)

