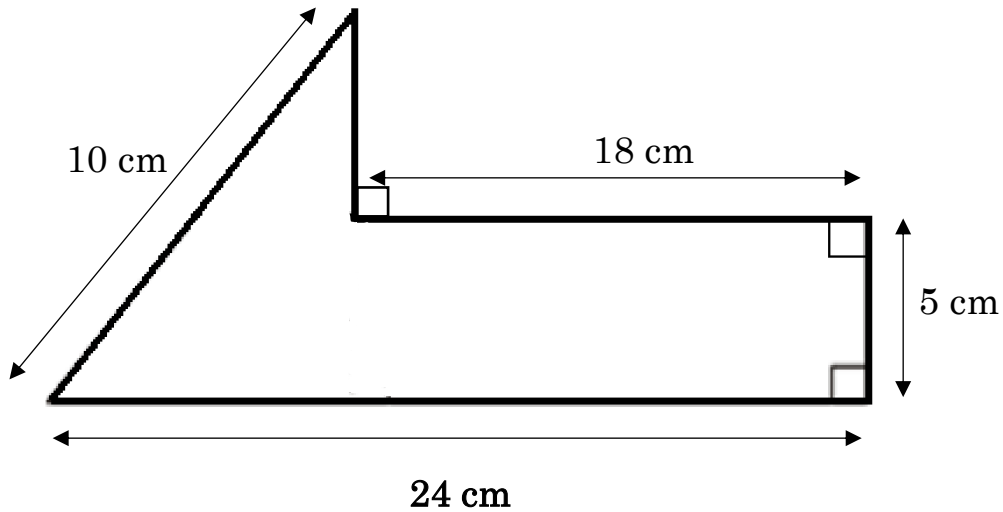


Areas of Compound Shapes Exam Practice

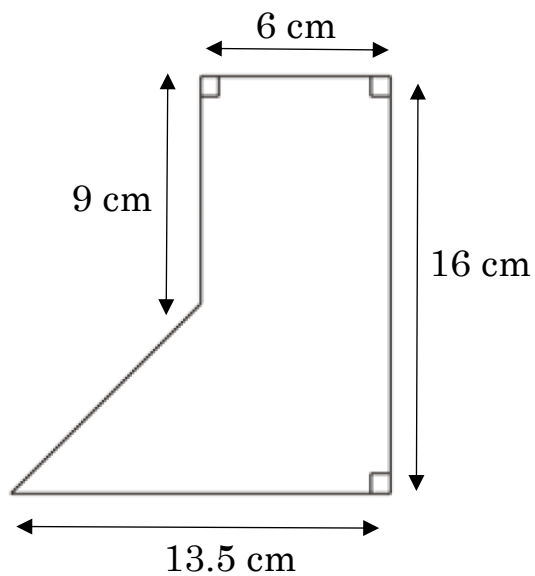


1. Work out the area of the shape below, stating the correct units.



(4 marks)

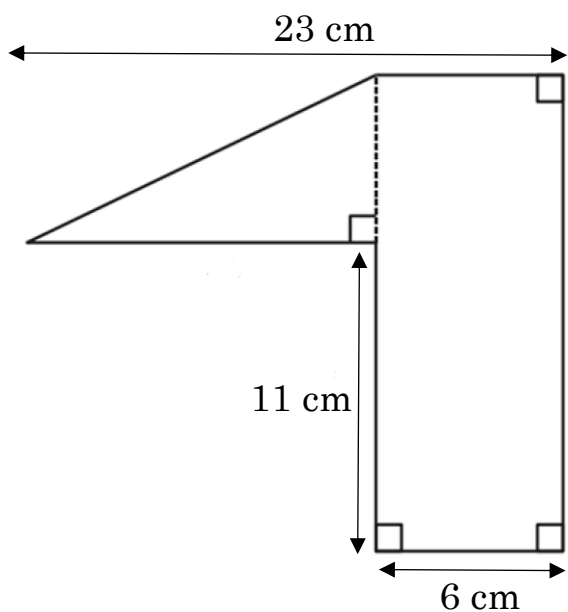
2. Work out the area of the shape below, stating the correct units.



(4 marks)



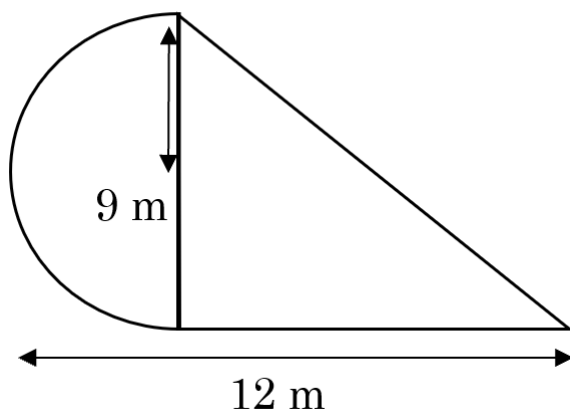
3.



The area of the triangle is 68 cm^2 . Work out the area of the entire 6-sided shape.

(4 marks)

4.



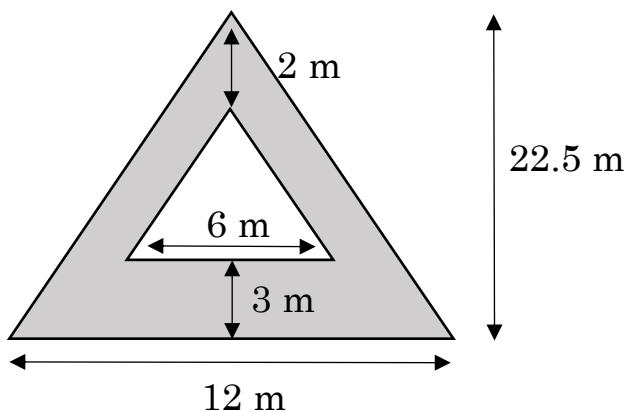
Find the shaded area of this shape, stating the correct units.

(4 marks)



Areas inside areas

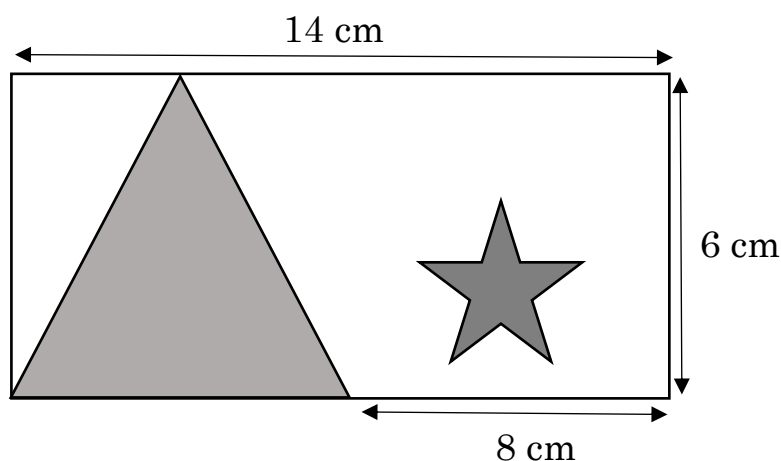
5. The perpendicular height of the large triangle is 3 times that of the perpendicular height of the small triangle.



Find the shaded area, stating the correct units.

(4 marks)

6. A rectangular logo for a new tennis racket is shown below. The area of the star shaped region is 15% of the area of the entire logo. Work out the area of the unshaded part of the logo.

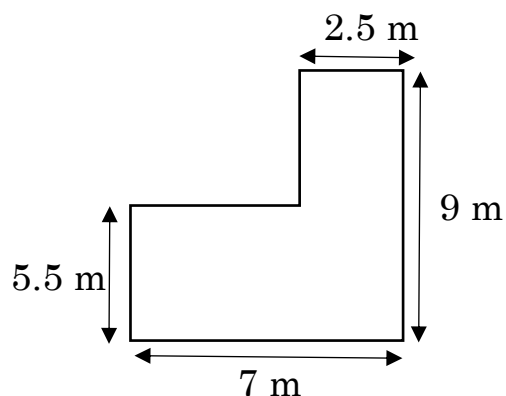


(4 marks)



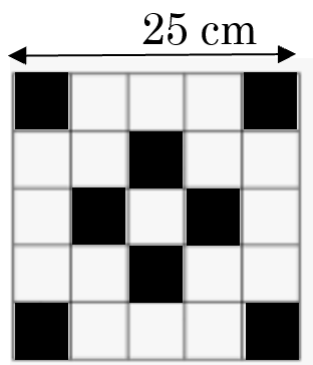
Problem solving

7. Here is the plan of a living room. Stan wish to cover 90% of the total area with carpet, which costs £2.50 a square metre. Work out the cost of carpeting his living room.



(4 marks)

8. A mosaic is to be created by repeating the following patterned square:



If the mosaic is to measure 5m by 8m, work out the area of the white squares in the entire mosaic. Give your answer in metres squared.

(4 marks)