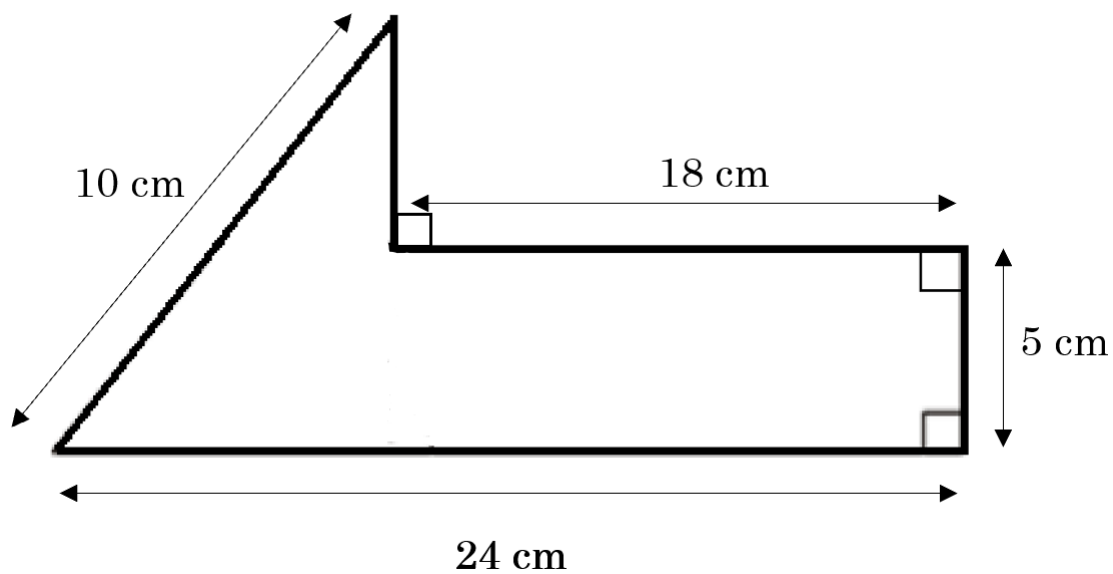




## Areas of Compound Shapes Exam Practice

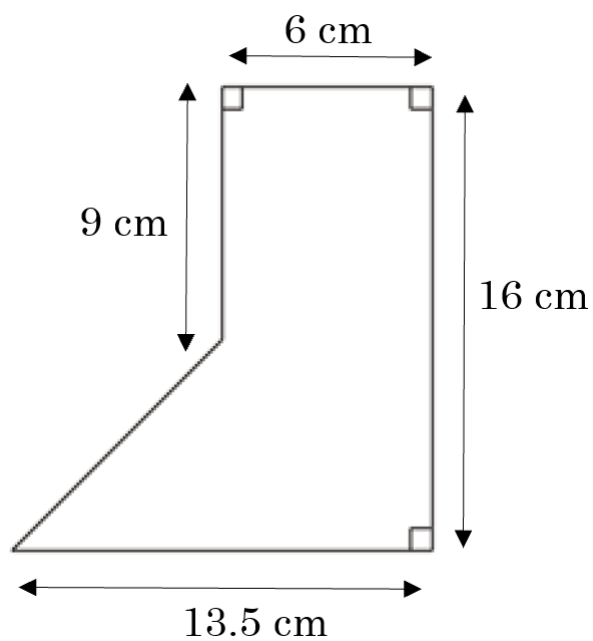
Q1. Work out the area of the shape below, stating the correct units:



Answer: \_\_\_\_\_  
(4 marks)



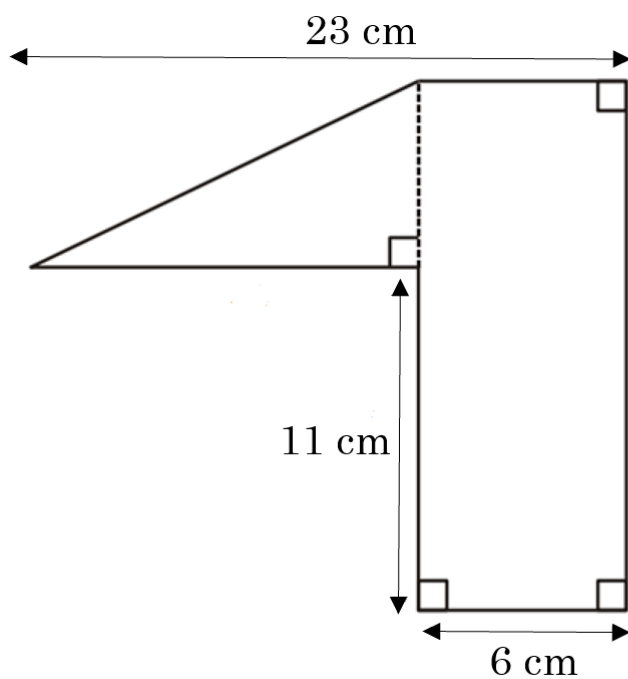
Q2. Work out the area of the shape below, stating the correct units.



Answer: \_\_\_\_\_  
(3 marks)



Q3. The area of the triangle is  $68 \text{ cm}^2$ . Work out the area of the entire 6-sided shape.

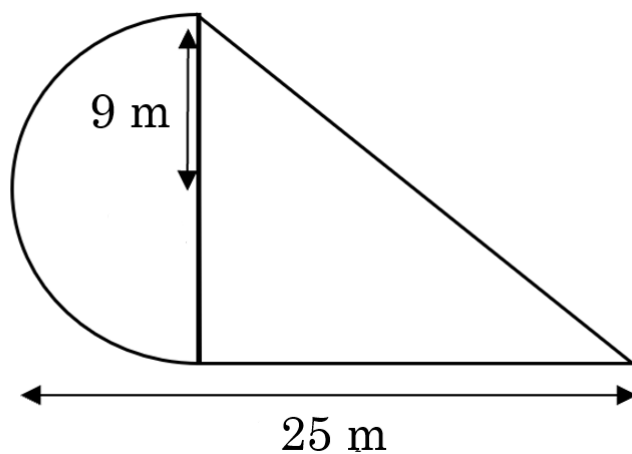


Answer: \_\_\_\_\_

(4 marks)



Q4. Find the shaded area of this shape, stating the correct units.

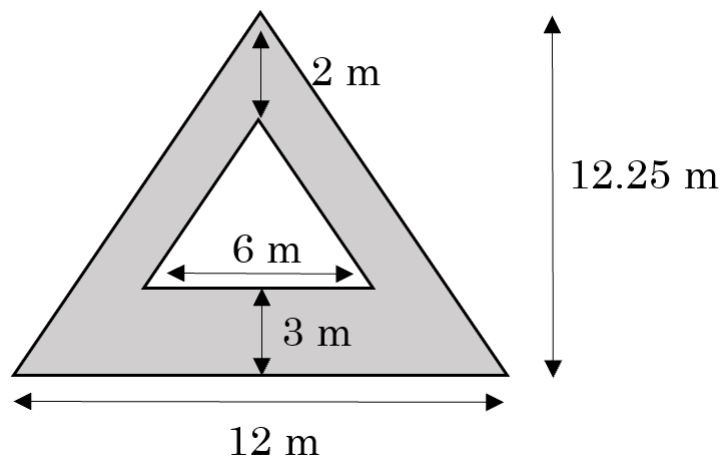


Answer: \_\_\_\_\_  
(4 marks)



Areas inside areas

Q5. Find the shaded area of the following shape, stating the correct units.

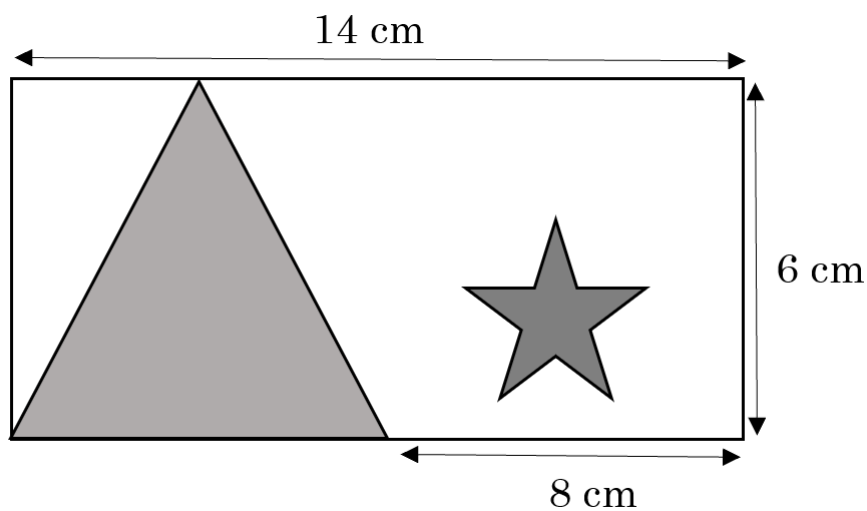


Answer: \_\_\_\_\_

(4 marks)



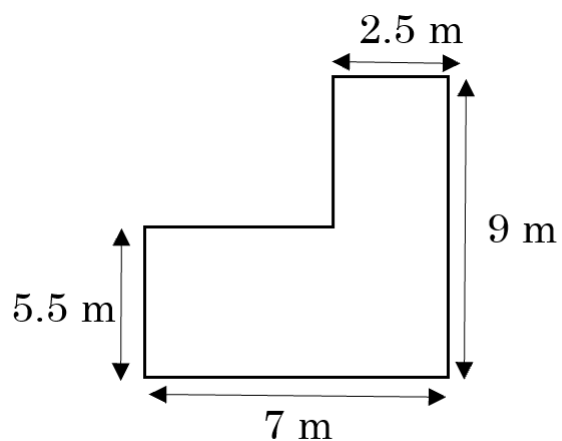
Q6. A rectangular logo for a new tennis racket is shown below. The area of the star shaped region is 15% of the area of the entire logo. Work out the area of the unshaded part of the logo.



Answer: \_\_\_\_\_  
(4 marks)



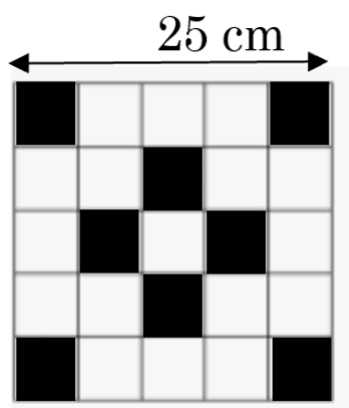
Q7. Here is the plan of a living room. Stan wish to cover 90% of the total area with carpet, which costs £2.50 a square metre.  
Work out the cost of carpeting his living room.



Answer: \_\_\_\_\_  
(4 marks)



Q8. A mosaic is to be created by repeating the following patterned square:



If the mosaic is to measure 5m by 8m, work out the area of the white squares in the entire mosaic. Give your answer in metres squared.

Answer: \_\_\_\_\_  
(4 marks)