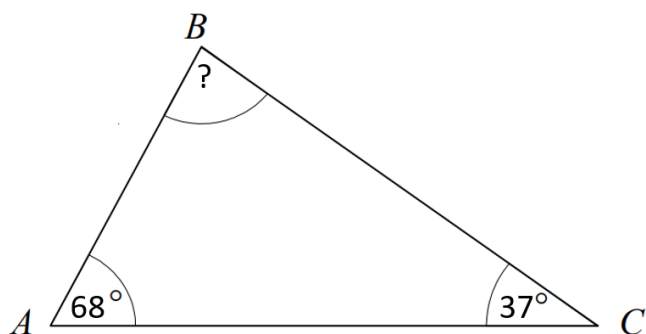




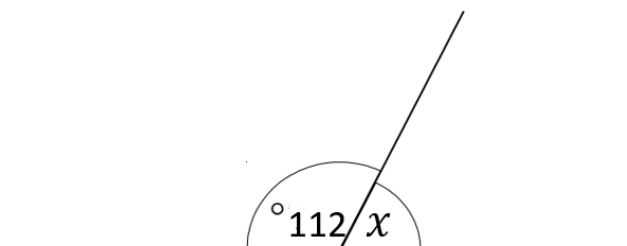
## Angles Exam Practice

Q1. Find the value of the missing angle.



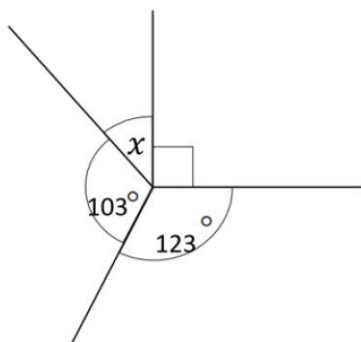
(2 marks)

Q2. Find the value of the missing angle.



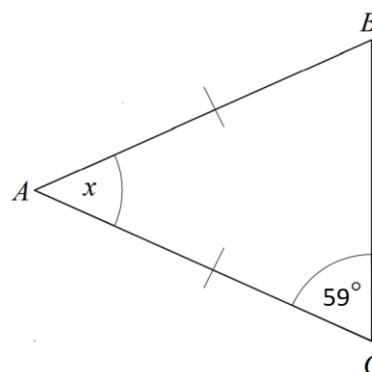
(2 marks)

Q3. Find angle  $x$ , showing your working out.



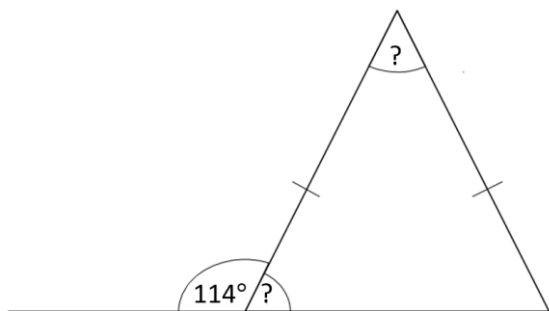
(2 marks)

Q4. Work out the angle below, justifying your answer.



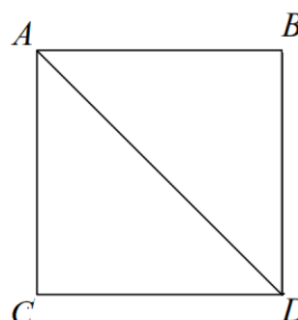
(2 marks)

Q5. Find the missing angles. You must give reasons for your answers.



(2 marks)

Q6. ABCD is a square. Work out the size of angle CAD. You must explain your reasoning.



(2 marks)



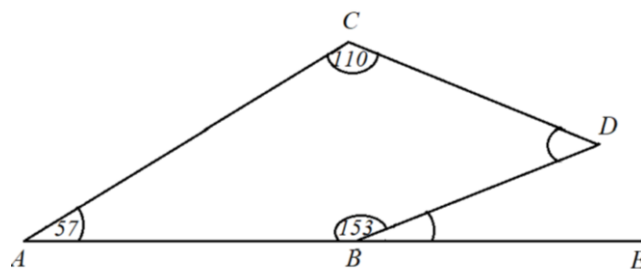
Q7. Draw examples of the following angles:

(i) an obtuse angle

(ii) a reflex angle

(2 marks)

Q8. Work out angles D and DBE, giving reasons for your answers.

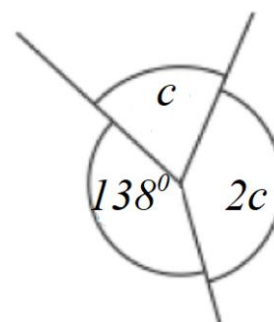


(4 marks)

Q9. Draw an angle which is of size  $66^\circ$

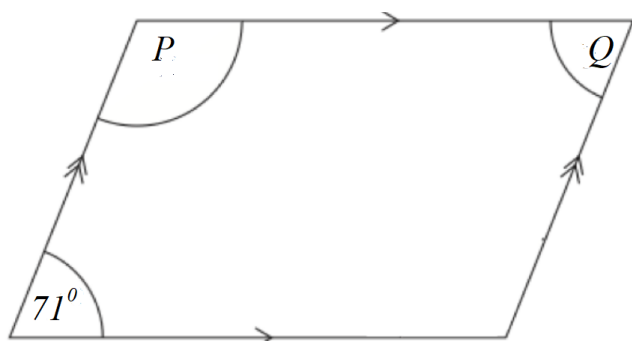
(1 mark)

Q10. Find the size of angle c, showing your working.



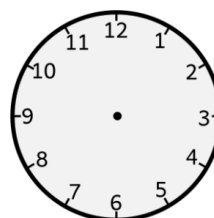
(2 marks)

Q11. Find angles P and Q, giving reasons for your answers.



(4 marks)

Q12. Here is a clock face, with the minute and hour hand removed.



a) What would be the size of the reflex angle which the hands would make at 8.20pm?

(2 marks)

b) State a time which would create an angle of  $150^\circ$

(1 mark)