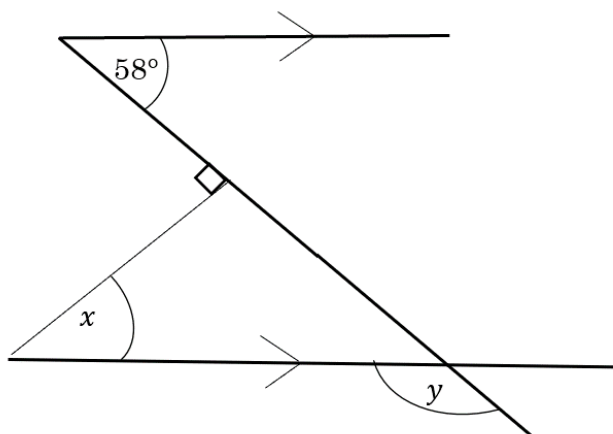




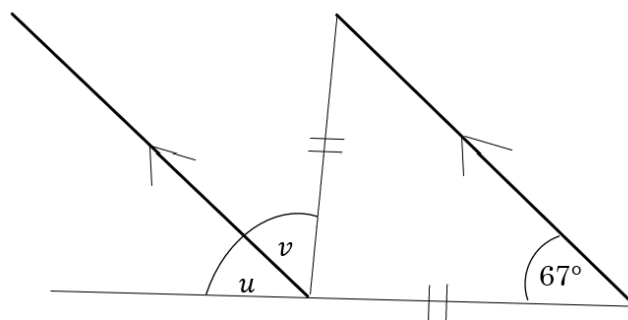
Angles in Parallel Lines Exam Practice

Q1. Find the missing angles. Give reasons for your answers.



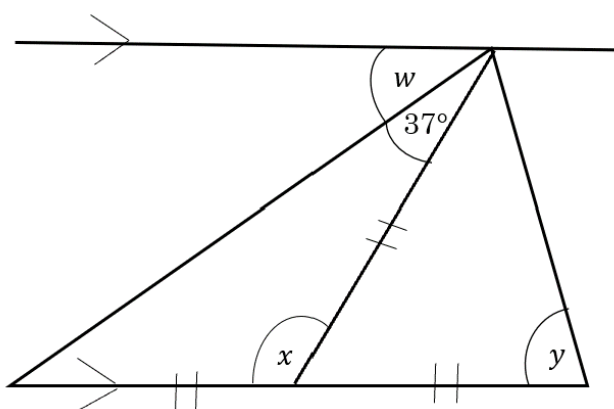
(4 marks)

Q2. Find the missing angles. Give reasons for your answers.



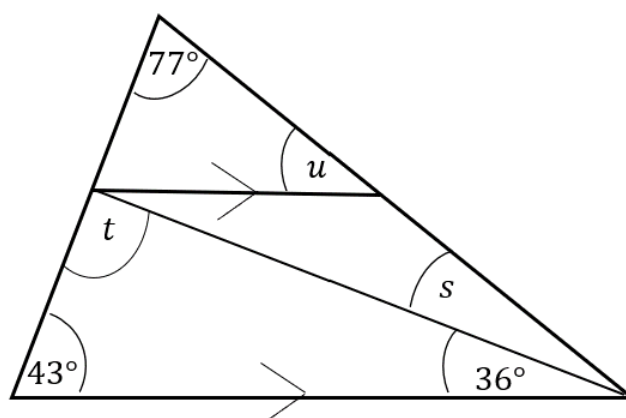
(4 marks)

Q3. Find the missing angles. Give reasons for your answers.



(5 marks)

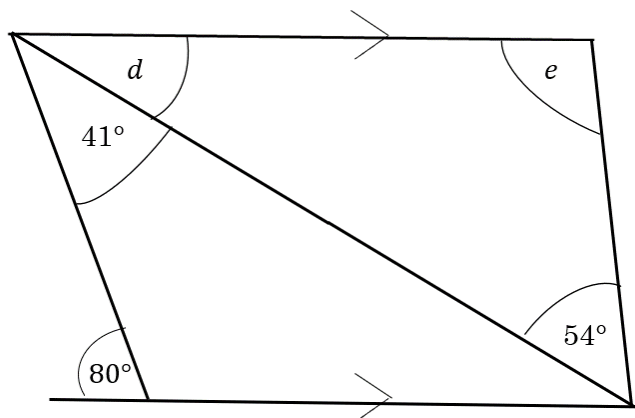
Q4. Find the missing angles. Give reasons for your answers.



(5 marks)

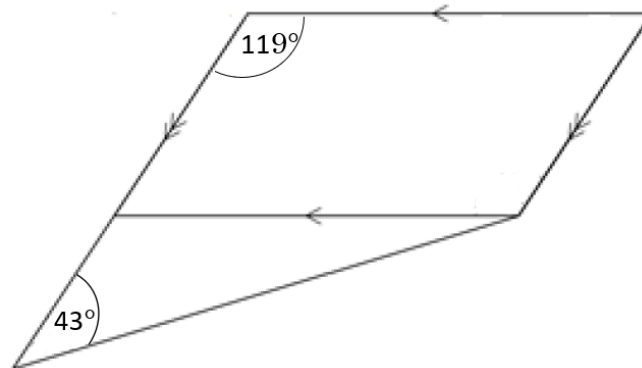


Q5. Find the missing angles. Give reasons for your answers.



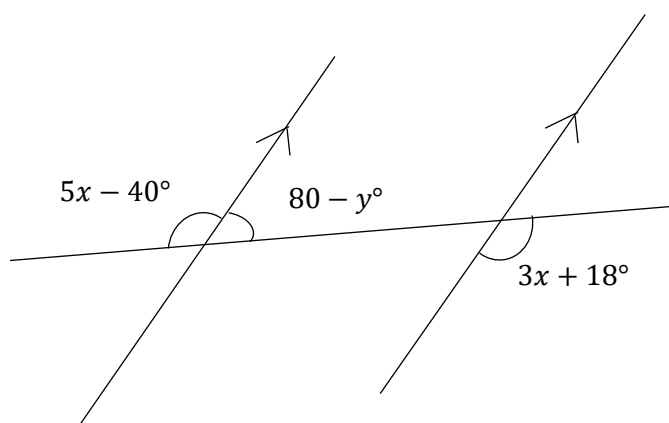
(4 marks)

Q6. Find *all* unlabelled angles. Give reasons for your answers.



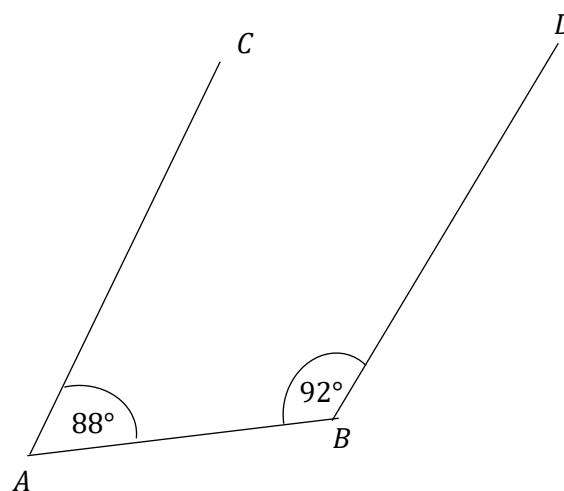
(5 marks)

Q7. Find the value of x and y



(4 marks)

Q8. Prove whether or not AC and BD are parallel lines.



(2 marks)