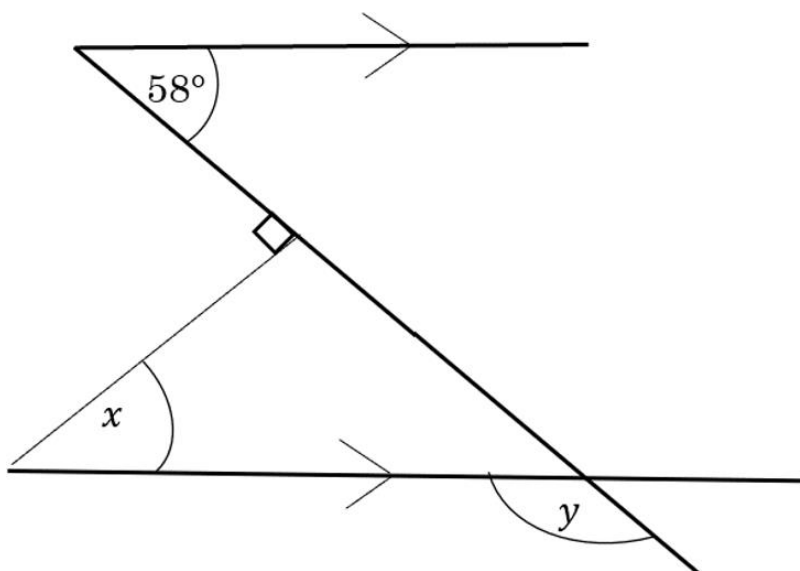




Angles in Parallel Lines Exam Practice

Q1. Find the missing angles. Give reasons for your answers.

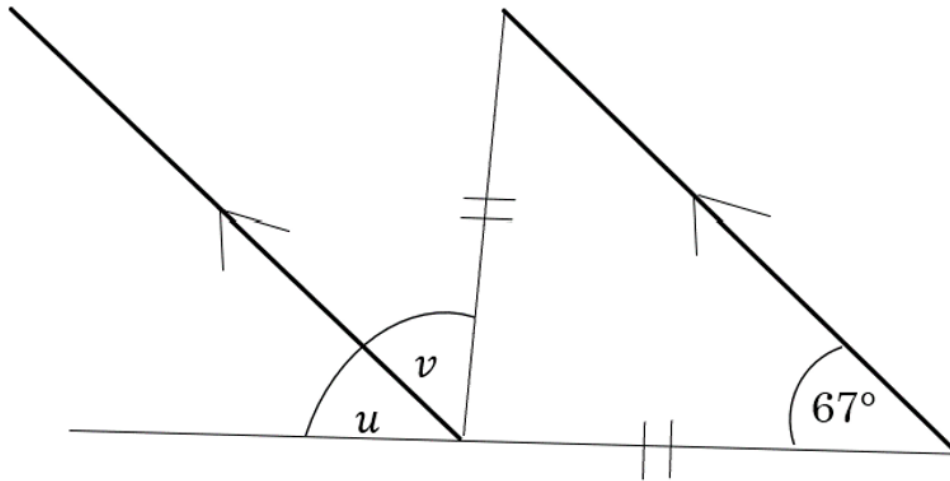


Answer: _____

(4 marks)



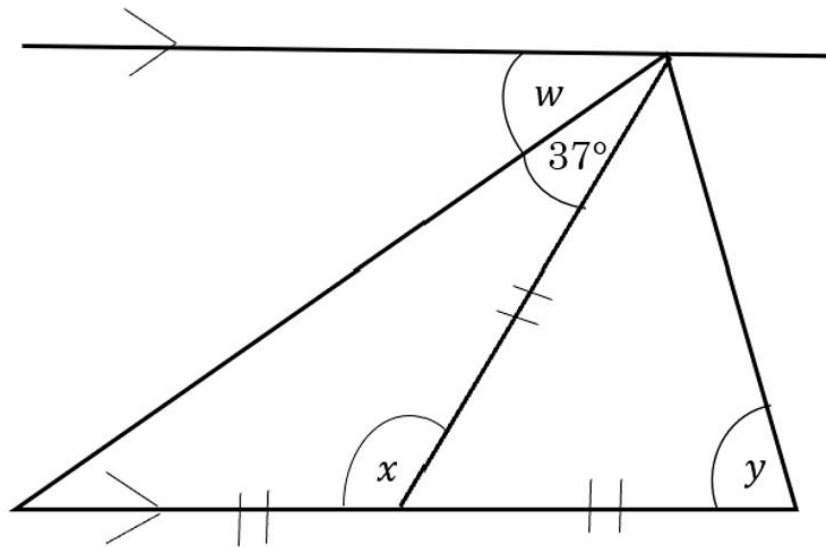
Q2. Find the missing angles. Give reasons for your answers.



Answer: _____
(4 marks)



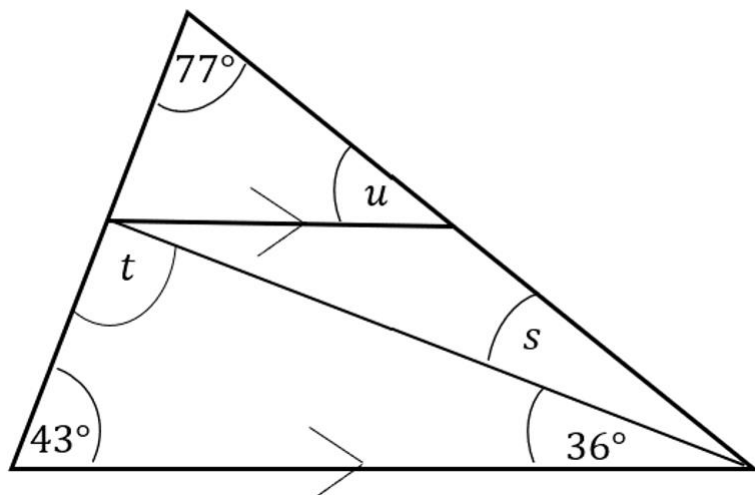
Q3. Find the missing angles. Give reasons for your answers.



Answer: _____
(5 marks)



Q4. Find the missing angles. Give reasons for your answers.

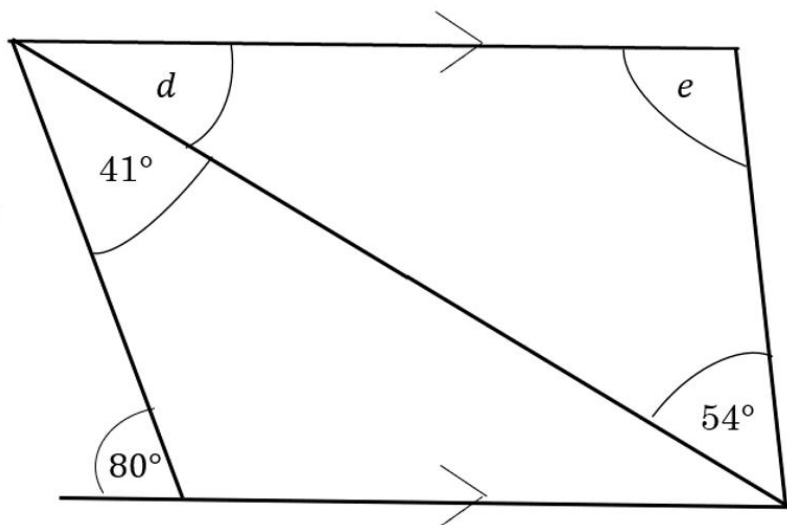


Answer: _____

(5 marks)



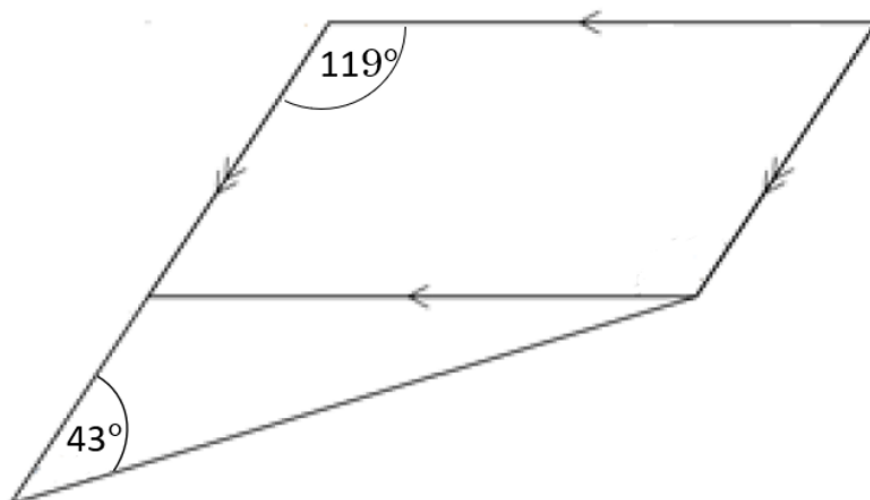
Q5. Find the missing angles. Give reasons for your answers.



Answer: _____
(4 marks)



Q6. Find *all* unlabelled angles. Give reasons for your answers.

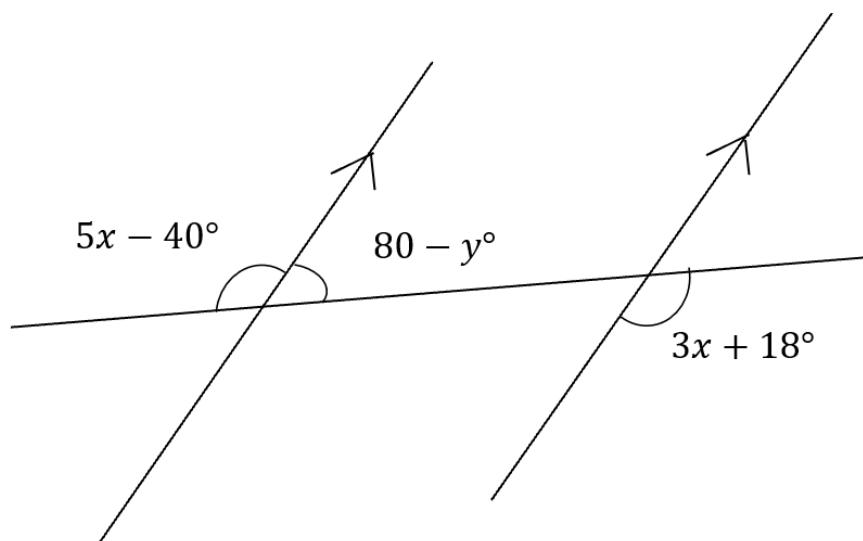


Answer: _____

(5 marks)



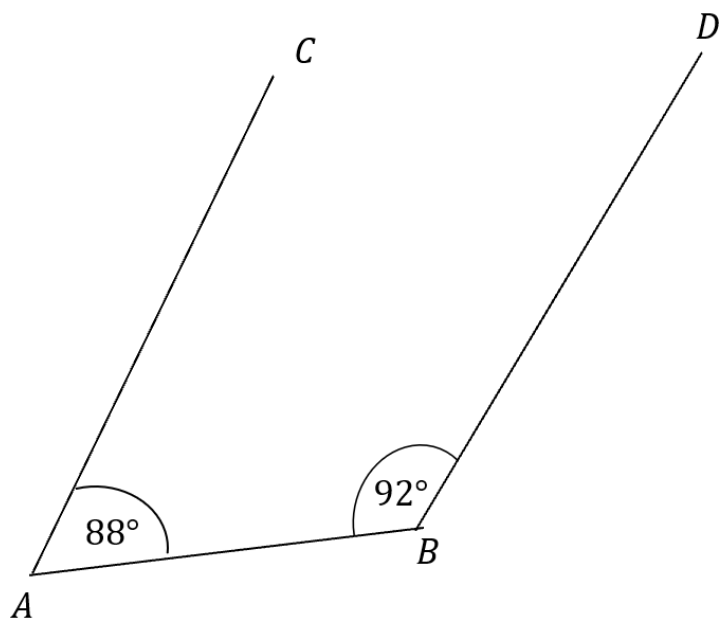
Q7. Find the value of x and y



Answer: _____
(4 marks)



Q8. Prove whether or not AC and BD are parallel lines.



Answer: _____
(2 marks)